

MPO Adaptor

Part No. MPO - ADPT - - -

PRODUCT SPECIFICATIONS

Nissin Kasei Company Ltd.

821 Miyamaecho, Nishiku, Saitama 331-0046 Japan

TEL: +81 48 624 8450 FAX: +81 48 624 8404

URL: <http://www.nissinkasei.co.jp>



CONTENNTS

1. Product Name	-----	3
2. Specifications	-----	3
2-1 Part and Materials	-----	3
2-2 Standard	-----	4
2-3 Tolerances	-----	4
2-4 Origin	-----	4
2-5 Packing	-----	4
3. External Dimension	-----	4

1. Product Name

The structure of the product name is shown as below.

MPO - ADPT - □ - □ - □
(1) (2) (3) (4) (5)

Table 1 Structure of the product name

No.	Item	Applicable type
(1)	Connector Form	MPO
(2)	ADPT	Adaptor
(3)	Type	STD: Standard SCFP: SC Footprint
(4)	Flange	LF: Long(Standard) Flange SF: Short Flange
(5)	Color	B: Black A: Agua G: Green Y: Yellow Be: Beige V: Violet

2. Specifications

2-1 Part and Materials

Table 2 shows the parts and materials of MPO adaptor.
Each Part No. refers to Paragraph 3-2 Component.

Table 2 Parts and Materials

MPO Adaptor

No.	Part Name	Material	Note
1	Adaptor	PBT	UL94,V-0
2	Dust Cap	PBT	UL94,V-0

2-2 Standard

Table 3 shows the standard of MPO adaptor.

Table 3 Standard

Standard	Number
TIA/EIA	604-5 Type MPO
IEC	61754-7

NOTE : RoHS COMPLIANCE

2-3 Tolerances

Permissible deviation in dimensions without tolerance indication is ± 0.1 mm.

2-4 Origin

The origin of this product is Japan.

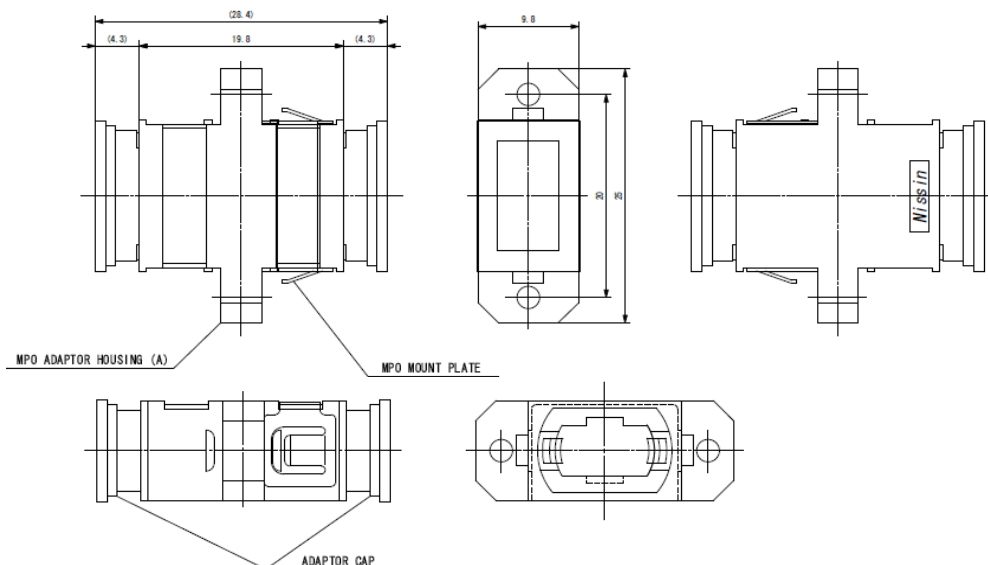
2-5 Packing

The product is packed to prevent the damage during the transportation.

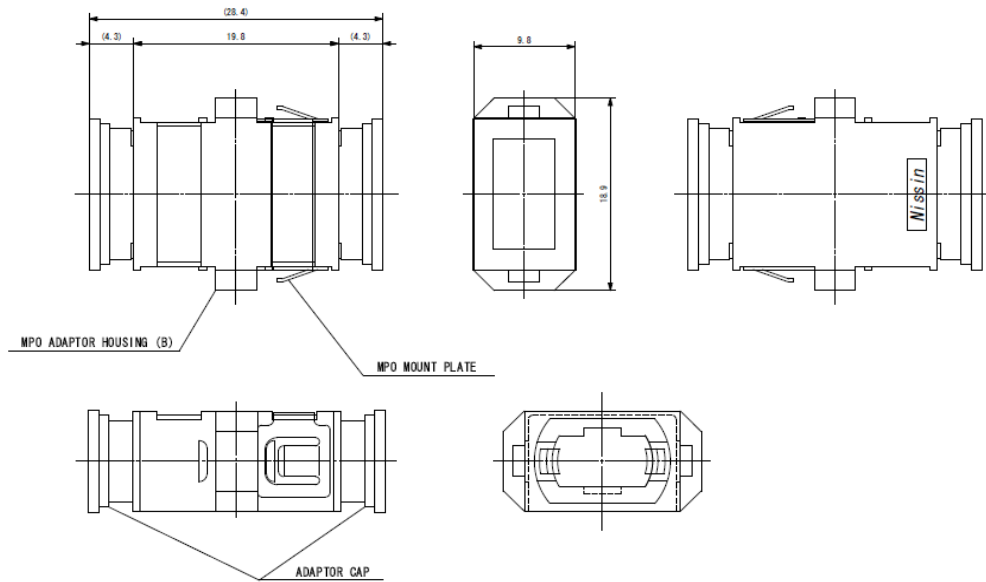
3. External Dimension

The following shows the dimension and structure of assembled product:

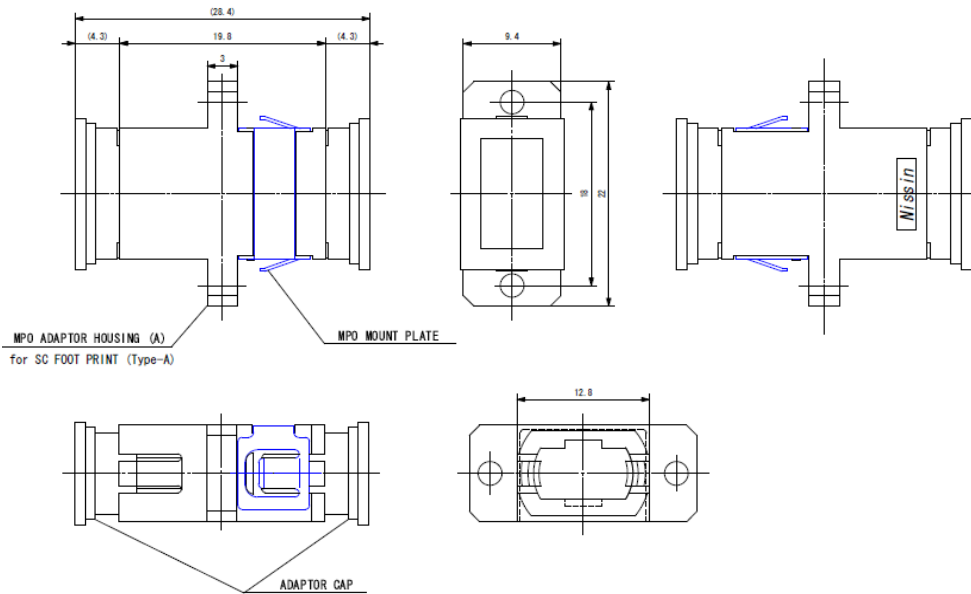
MPO adaptor with standard flange



MPO adaptor with short flange



MPO adaptor with SC Footprint & standard flange



MPO adaptor with SC Footprint & short flange

