

MT Connector Kit

Part No. MT - - - -

PRODUCT SPECIFICATIONS

Nissin Kasei Company Ltd.

821 Miyamaecho, Nishiku, Saitama 331-0046 Japan

TEL: +81 48 624 8450 FAX: +81 48 624 8404

URL: <http://www.nissinkasei.co.jp>



CONTENNTS

1. Product Name	-----	3
2. Specifications	-----	3
2-1 Part and Materials	-----	3
2-2 Discrimination	-----	4
2-3 Standard	-----	5
2-4 Tolerances	-----	5
2-5 Origin	-----	5
2-6 Packing	-----	5
3. External Dimension	-----	6

1. Product Name

The structure of the product name is shown as below.

MT - □ - □ - □ - □
 (1) (2) (3) (4) (5)

Table 1 Structure of the product name

No.	Item	Applicable type
(1)	Connector Form	MT Connector
(2)	Connector Type	M: Male(with guide pin) F:Female(without guide pin)
(3)	Ferrule code	S: SM Standard SP: SM Premium Low Loss M: MM Standard MP: MM Premium Low Loss
(4)	Number of Ferrule Holes	4: 4 Fibers 8: 8 Fibers 12: 12 Fibers 24: 24 Fibers 48: 48 Fibers
(5)	MT Boot	Y: With Boot N: Without Boot

2. Specifications

2-1 Part and Materials

Table 2 shows the parts and materials of MT connector.

Table 2 Parts and Materials

MT Connector

No.	Part Name	Material	Note
1	Ferrule	PPS	UL94,V-0
2	Boot	Elastomer	UL94,V-0
3	Guide Pin	SUS	

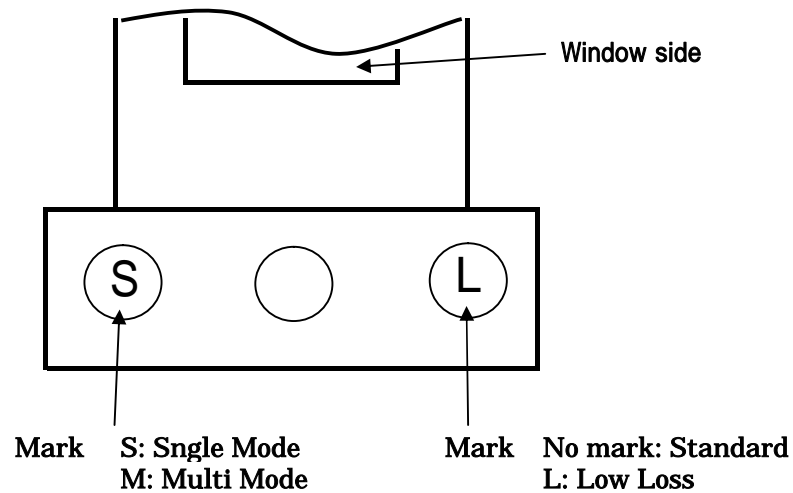
Table 3 shows the materials and other characteristics of MT ferrule.

Table 3 Materials and other characteristics of MT Ferrule

Fiber hole number	Material	Fiber Hole Diameter	Fiber Hole Eccentricity	Application
4	PPS	0.126 +0.002/-0 mm	0.0025mm	MM Standard
8	PPS	0.125 +0.001/-0 mm	0.0014mm	SM Standard
	PPS	0.125 +0.0005/-0 mm	0.0007mm	SM Premium Low Loss
	PPS	0.126 +0.002/-0 mm	0.0025mm	MM Standard
	PPS	0.126 +0.001/-0 mm	0.0014mm	MM Premium Low Loss
12	PPS	0.125 +0.001/-0 mm	0.0014mm	SM Standard
	PPS	0.125 +0.0005/-0 mm	0.0007mm	SM Premium Low Loss
	PPS	0.126 +0.002/-0 mm	0.0025mm	MM Standard
	PPS	0.126 +0.001/-0 mm	0.0014mm	MM Premium Low Loss
24	PPS	0.125 +0.001/-0 mm	0.0014mm	SM Standard
	PPS	0.125 +0.0005/-0 mm	0.0007mm	SM Premium Low Loss
	PPS	0.126 +0.002/-0 mm	0.0025mm	MM Standard
	PPS	0.126 +0.001/-0 mm	0.0014mm	MM Premium Low Loss
48	PPS	0.126 +0.002/-0 mm	0.0025mm	MM Standard
	PPS	0.125 +0.001/-0 mm	0.0014mm	SM Standard

2-2 Discrimination of MT Ferrule

The difference among SM, SM Low Loss, MM and MM Low Loss shows below:



2-3 Standard

Table 4 shows the standard of MT type connector.

Table 4 Standard

Standard	Number
IEC	60874-16
JIS	C 5981

NOTE : RoHS COMPLIANCE

2-4 Tolerances

Permissible deviation in dimensions without tolerance indication is ± 0.1 mm.

2-5 Origin

The origin of this product is Japan.

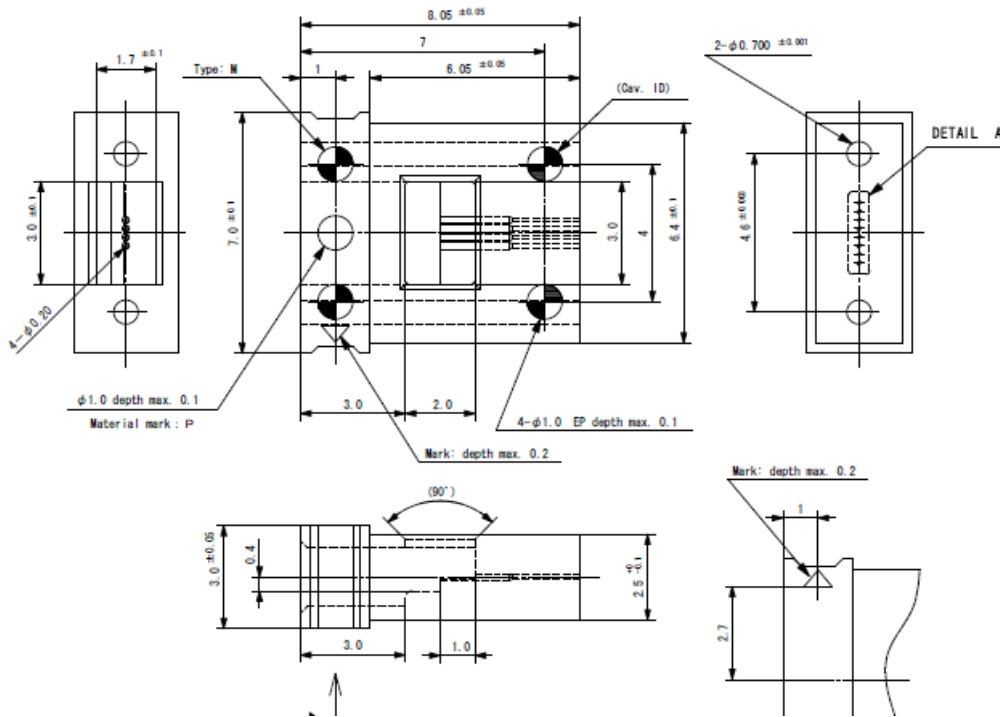
2-6 Packing

The product is packed to prevent the damage during the transportation.

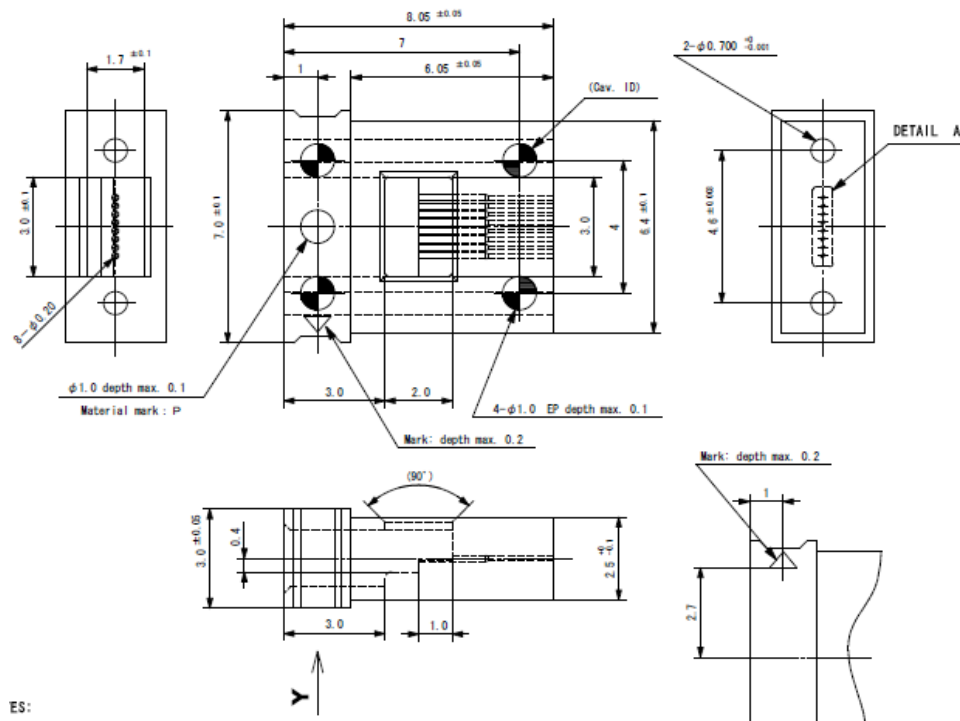
3. External Dimension

The following shows the dimension and structure of MT ferrule:

MT for 4 fibers

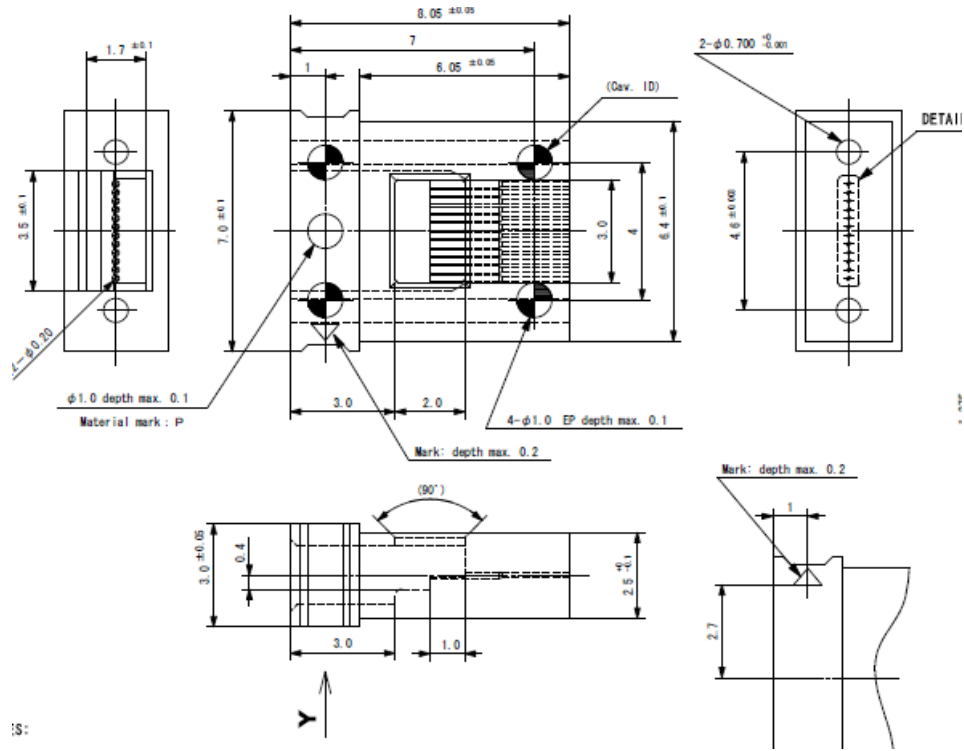


MT for 8 fibers

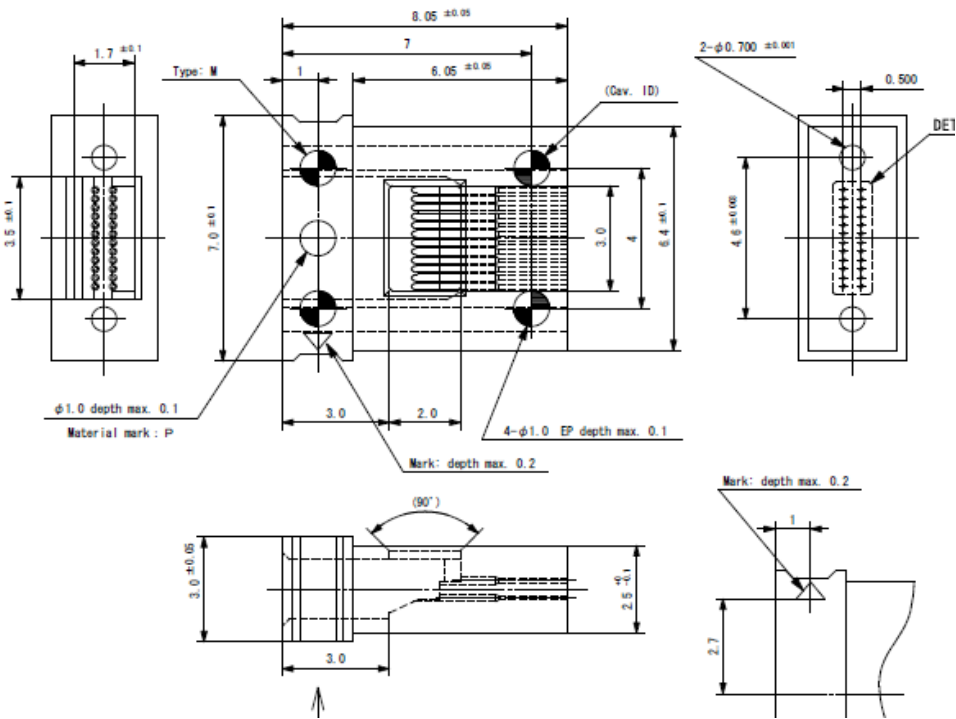


ES:

MT for 12 fibers



MT for 24 fibers



MT for 48 fibers

